



BUMP STOPS

FOR RACING



Make your mission a success

AEROSPACE GRADE RACING BUMP STOPS

IMPROVE PRECISION AND DRIVING CONTROL TO BEAT YOUR OWN RECORD

101926 _____ P. 3

⊙ 12.5 ⊙ 29.5 ↑ ↓ 11

101927 _____ P. 4

⊙ 12.5 ⊙ 29.5 ↑ ↓ 15

01262S _____ P. 5

⊙ 12.5 ⊙ 32 ↑ ↓ 15

01133S _____ P. 6

⊙ 13.5 ⊙ 32 ↑ ↓ 15

01263S _____ P. 7

⊙ 14.5 ⊙ 32 ↑ ↓ 15

01232S _____ P. 8

⊙ 14.5 ⊙ 32 ↑ ↓ 21

01259S _____ P. 9

⊙ 16 ⊙ 29.5 ↑ ↓ 11

01258S _____ P. 10

⊙ 16 ⊙ 29.5 ↑ ↓ 15

01119S _____ P. 11

⊙ 16 ⊙ 32 ↑ ↓ 15

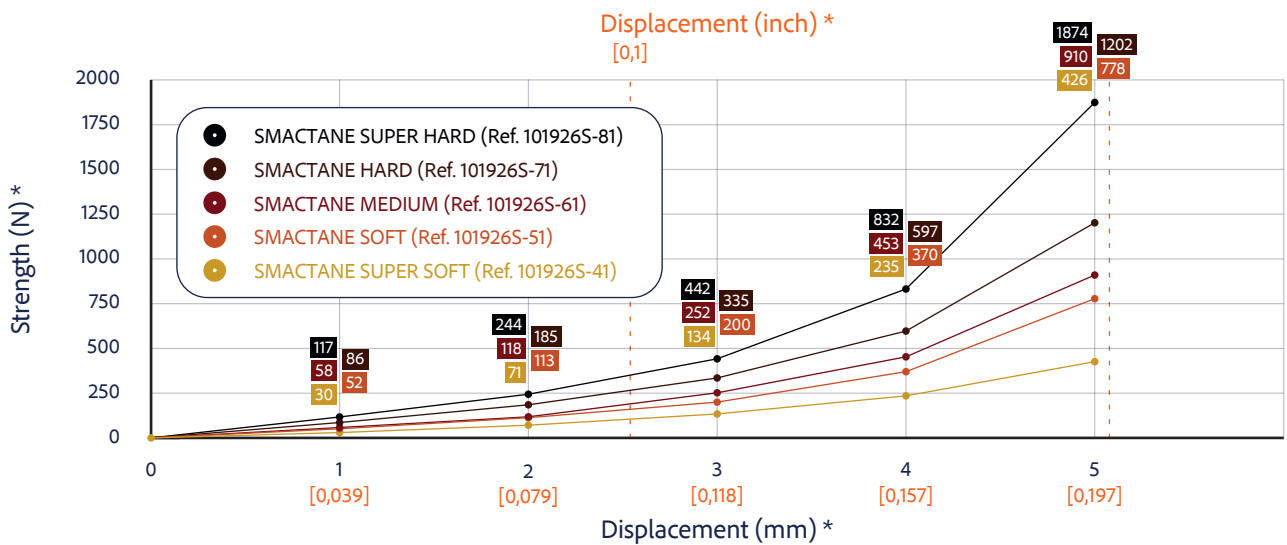
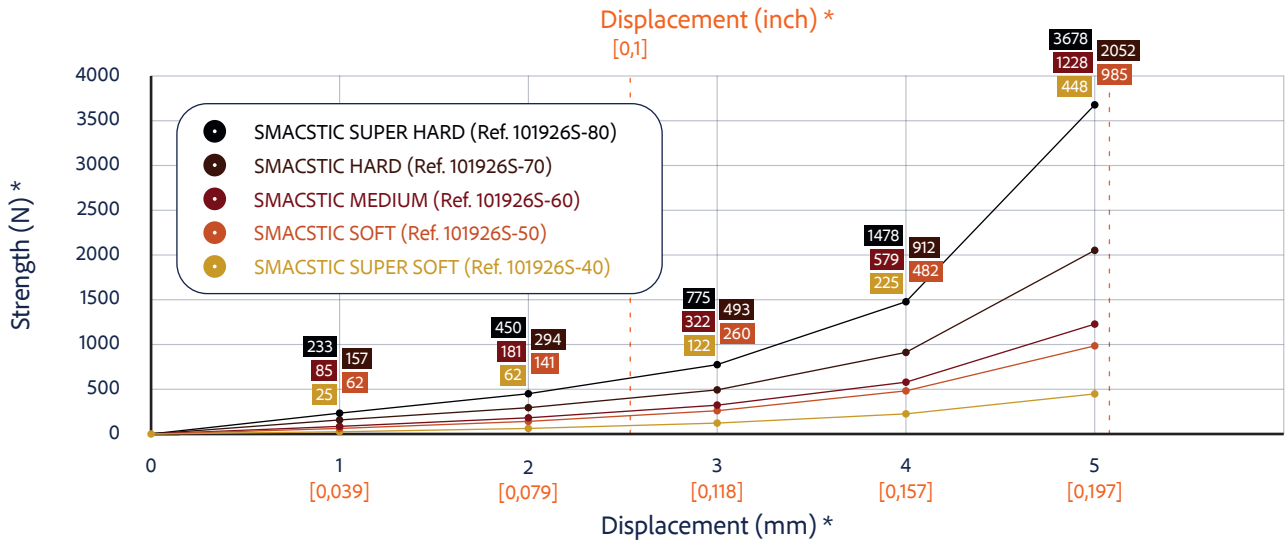
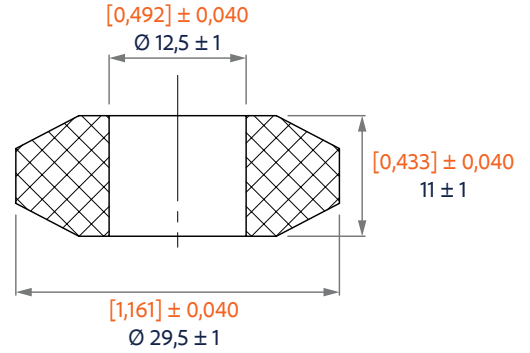
01264S _____ P. 12

⊙ 16.5 ⊙ 32 ↑ ↓ 15



REF 101926

○ 12.5
 ○ 29.5
 ↑ ↓ 11



* Force-displacement characteristics are subject to a tolerance of ± 10% under standard conditions.



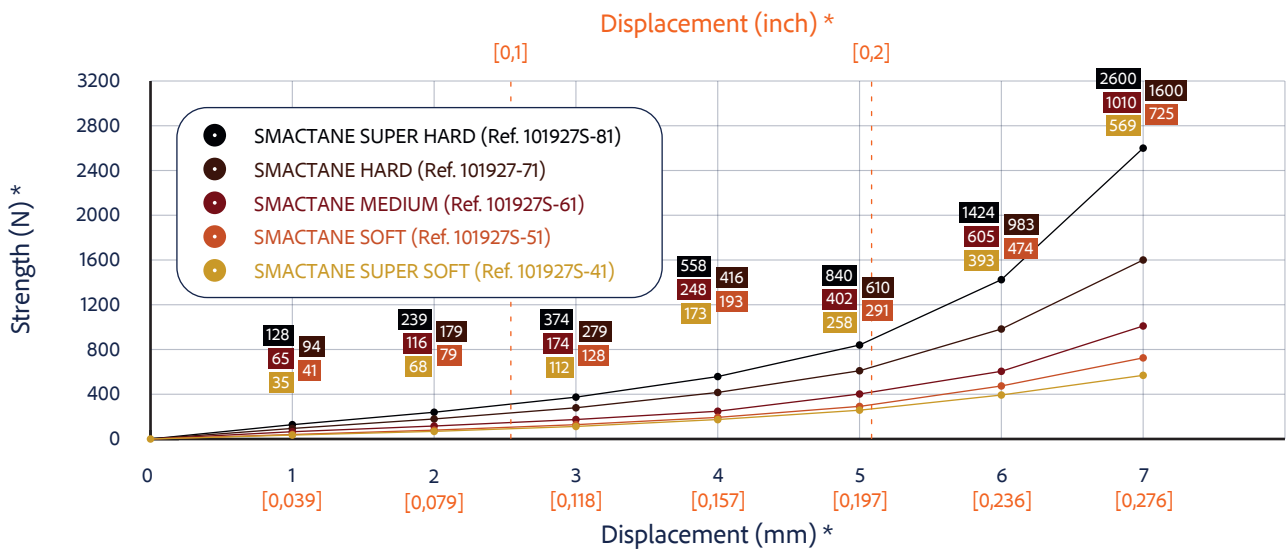
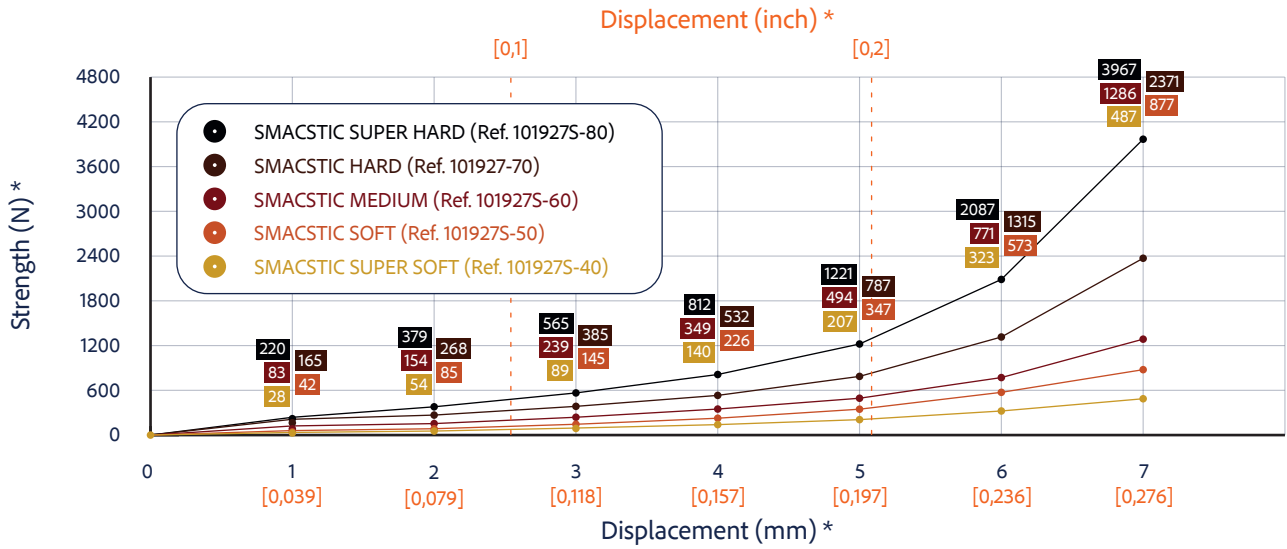
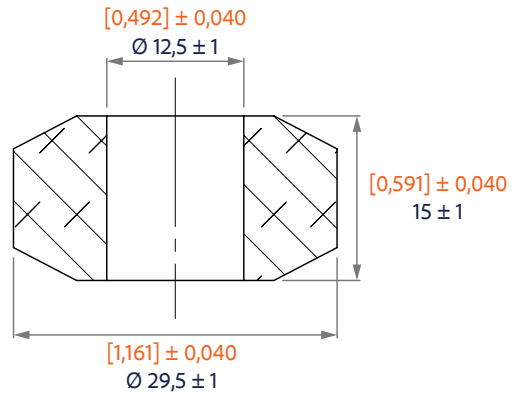
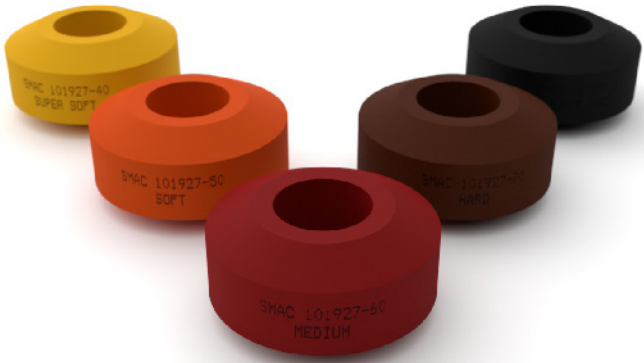
SMAC - ZI Toulon EST - BP 119 - 83079 TOULON cedex 09 - France
 Tél : +33 (0) 494 752 488 - www.smac-sas.com - contact@smac.fr
 VAT Number : FR17 481 022 937

All information released by SMAC is subject to modification without prior notice.
 Non contractual document. All rights reserved © SMAC 2025



REF 101927

12.5
29.5
↑ 15



* Force-displacement characteristics are subject to a tolerance of $\pm 10\%$ under standard conditions.



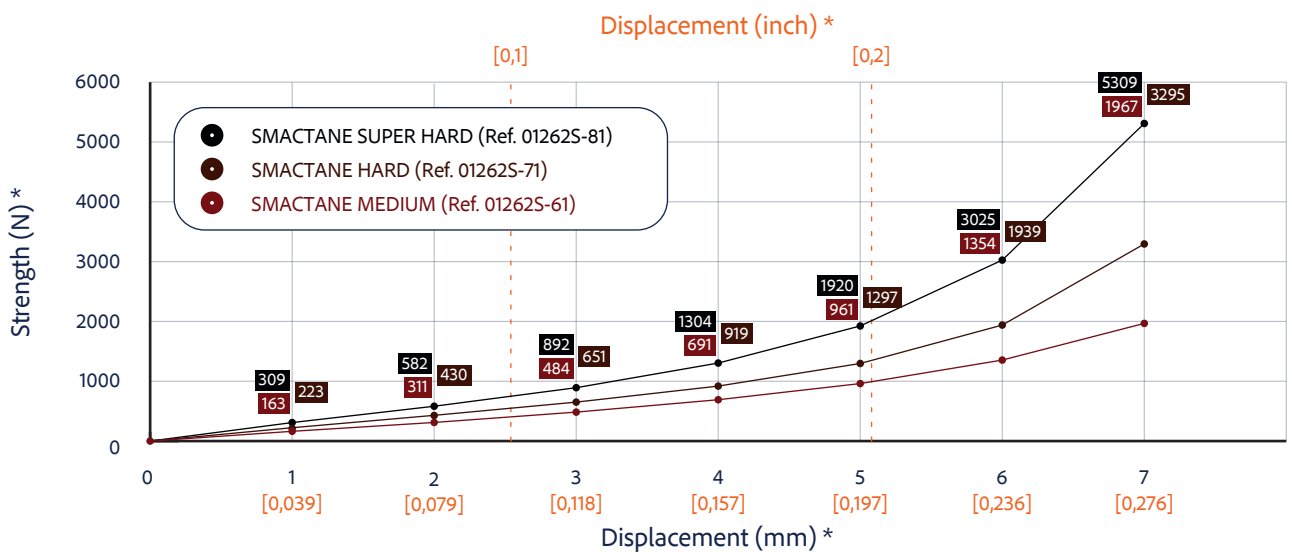
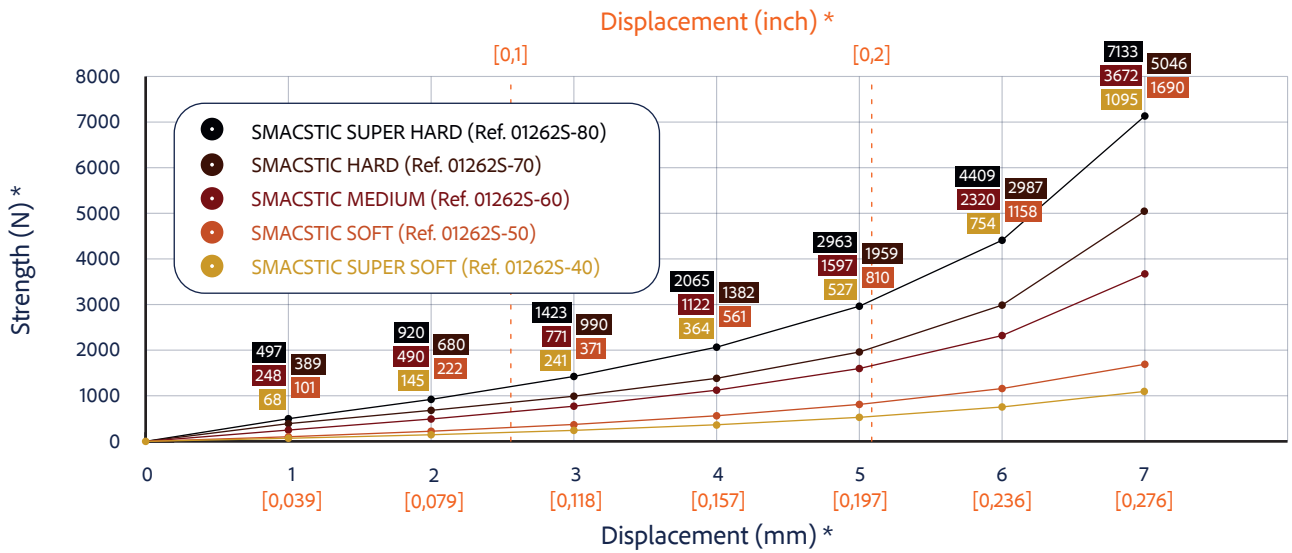
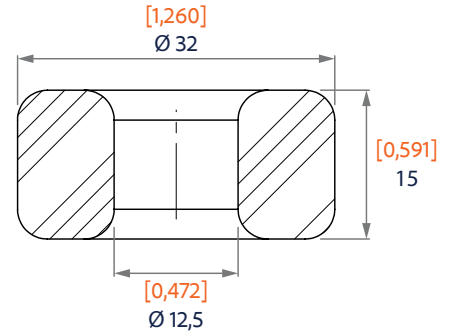
SMAC - ZI Toulon EST - BP 119 - 83079 TOULON cedex 09 - France
 Tél : +33 (0) 494 752 488 - www.smac-sas.com - contact@smac.fr
 VAT Number : FR17 481 022 937

All information released by SMAC is subject to modification without prior notice.
 Non contractual document. All rights reserved © SMAC 2025



REF 012625

12.5
32
↑ ↓ 15



* Force-displacement characteristics are subject to a tolerance of ± 10% under standard conditions.



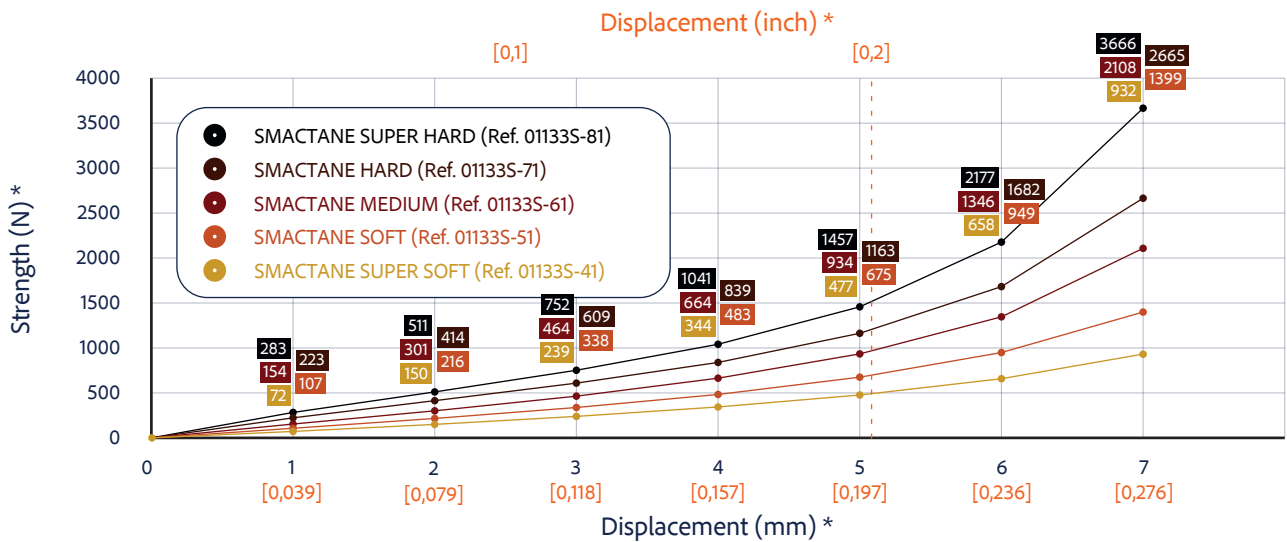
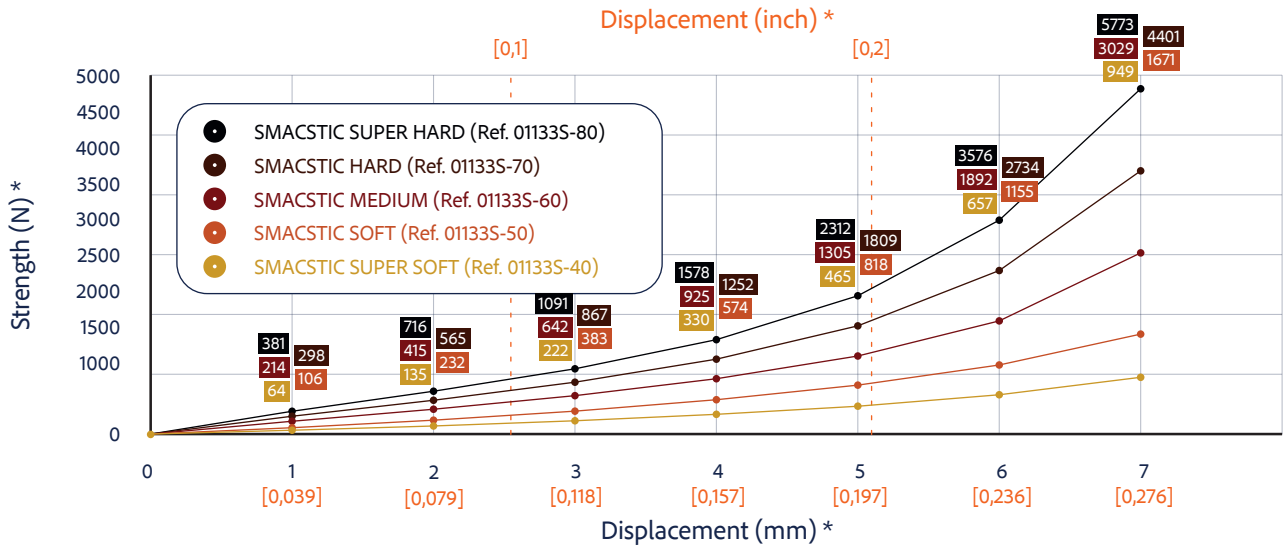
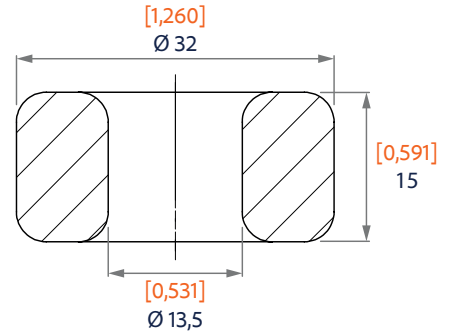
SMAC - ZI Toulon EST - BP 119 - 83079 TOULON cedex 09 - France
 Tél : +33 (0) 494 752 488 - www.smac-sas.com - contact@smac.fr
 VAT Number : FR17 481 022 937

All information released by SMAC is subject to modification without prior notice.
 Non contractual document. All rights reserved © SMAC 2025



REF 01133S

13.5
32
↑ 15



* Force-displacement characteristics are subject to a tolerance of ± 10% under standard conditions.



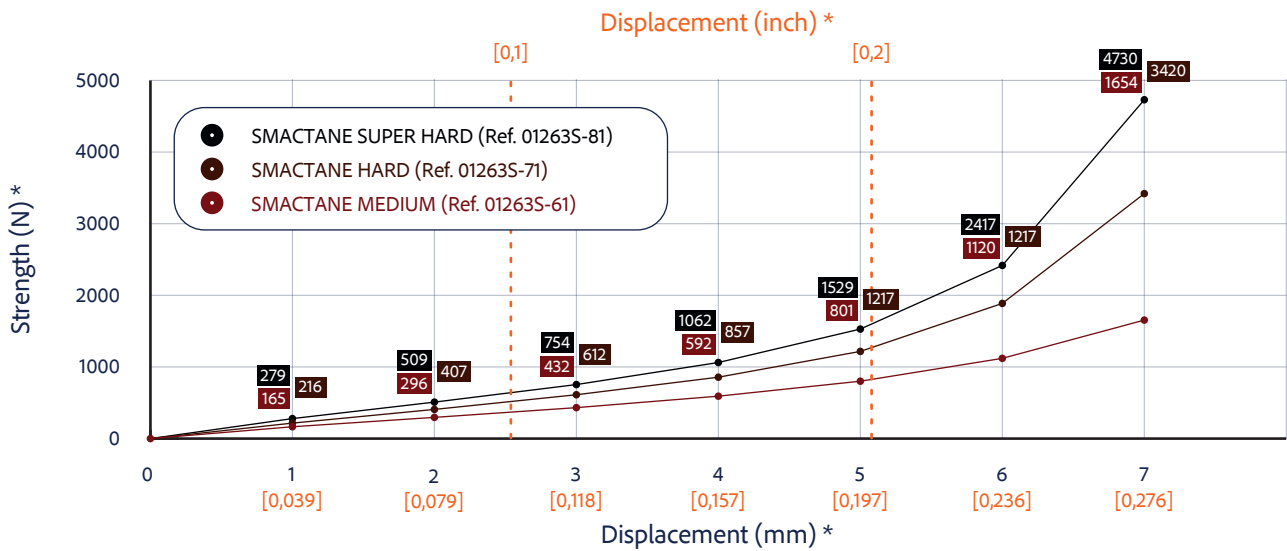
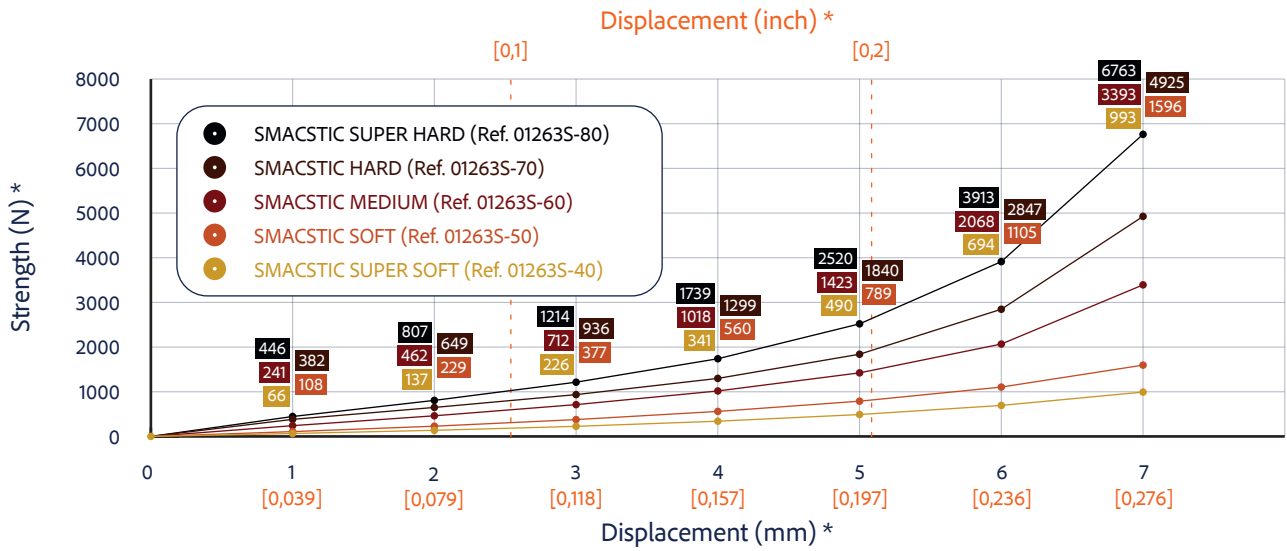
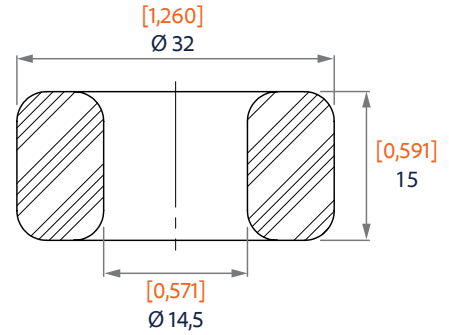
SMAC - ZI Toulon EST - BP 119 - 83079 TOULON cedex 09 - France
 Tél : +33 (0) 494 752 488 - www.smac-sas.com - contact@smac.fr
 VAT Number : FR17 481 022 937

All information released by SMAC is subject to modification without prior notice.
 Non contractual document. All rights reserved © SMAC 2025



REF 012635

○ 14.5 ○ 32 ↑ 15



* Force-displacement characteristics are subject to a tolerance of ± 10% under standard conditions.



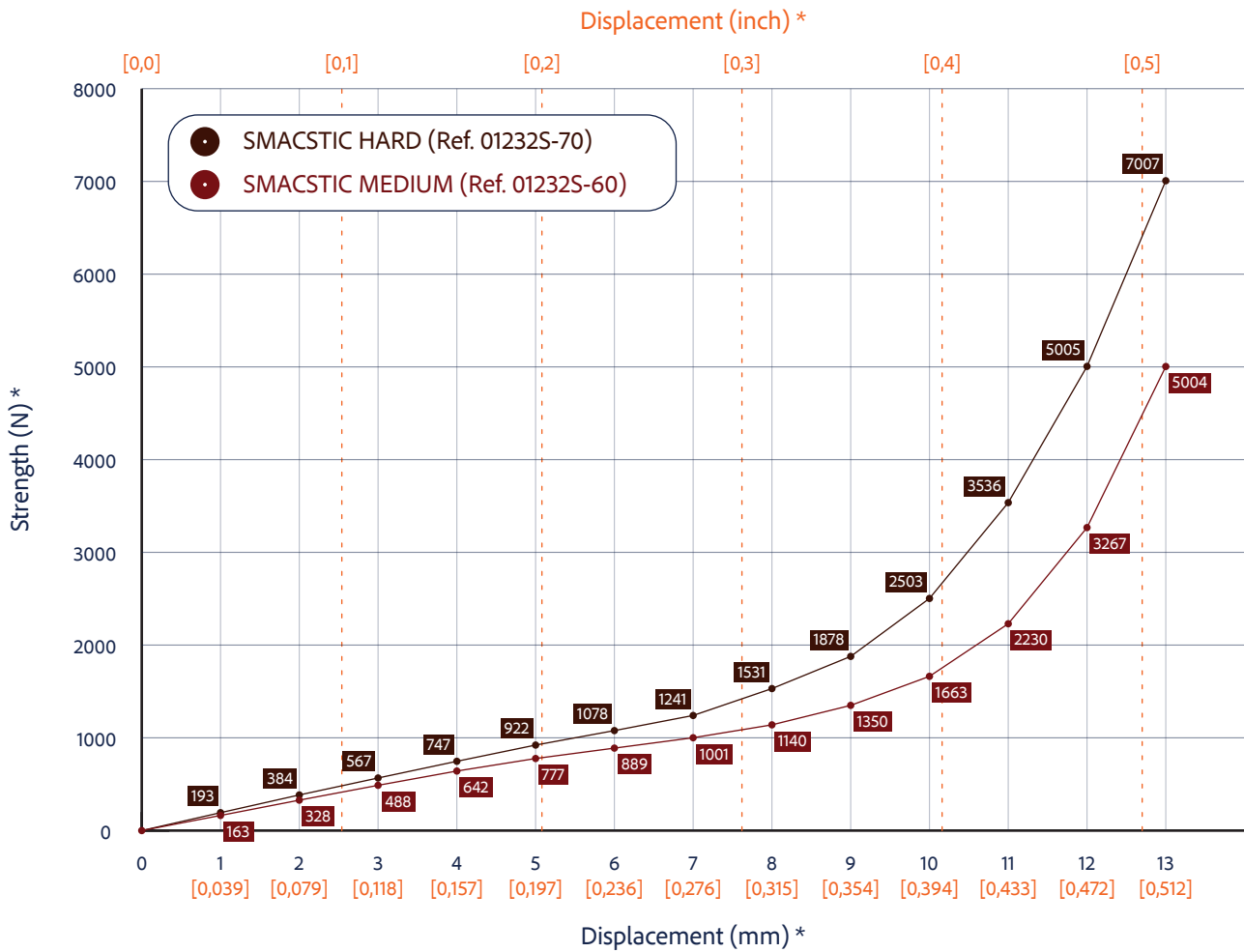
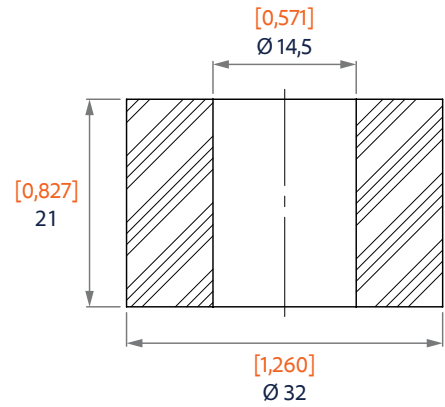
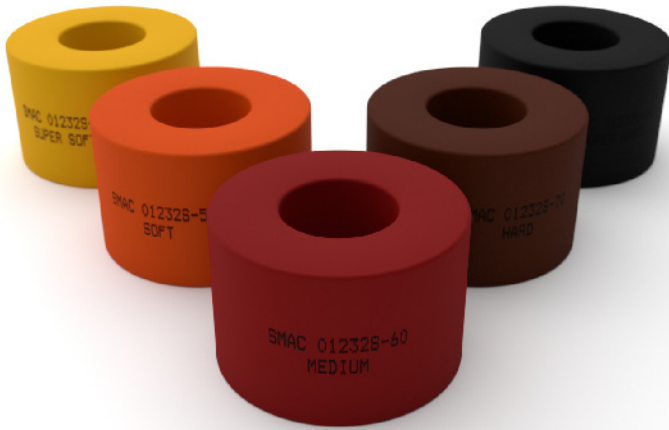
SMAC - ZI Toulon EST - BP 119 - 83079 TOULON cedex 09 - France
 Tél : +33 (0) 494 752 488 - www.smac-sas.com - contact@smac.fr
 VAT Number : FR17 481 022 937

All information released by SMAC is subject to modification without prior notice.
 Non contractual document. All rights reserved © SMAC 2025



REF 01232S

⊙ 14.5 ⊙ 32 ⇕ 21



* Force-displacement characteristics are subject to a tolerance of ± 10% under standard conditions.



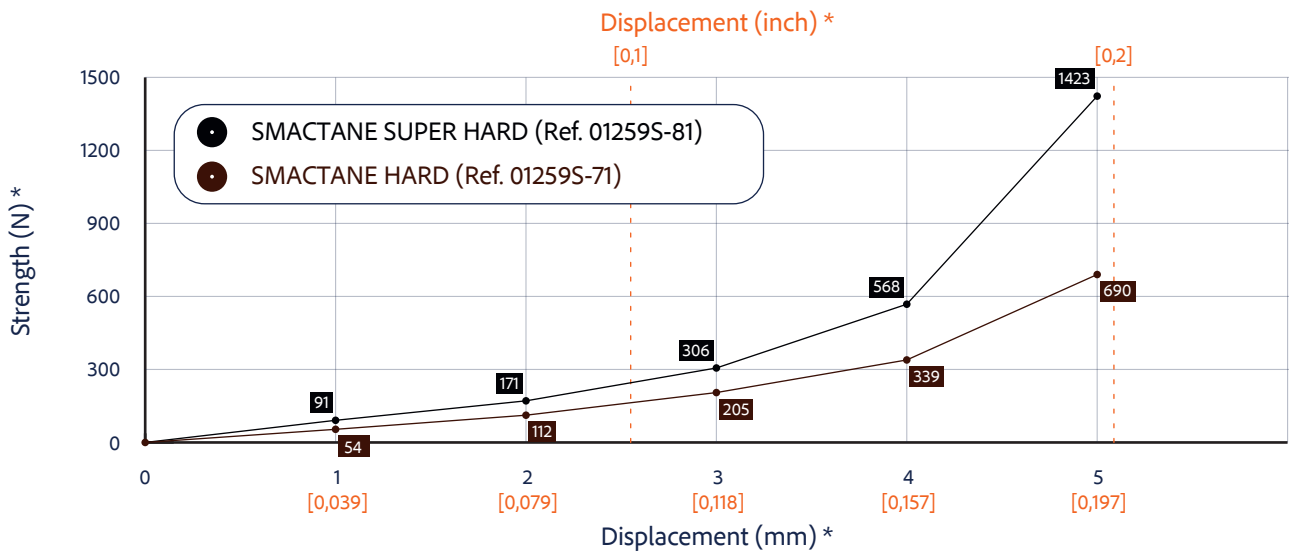
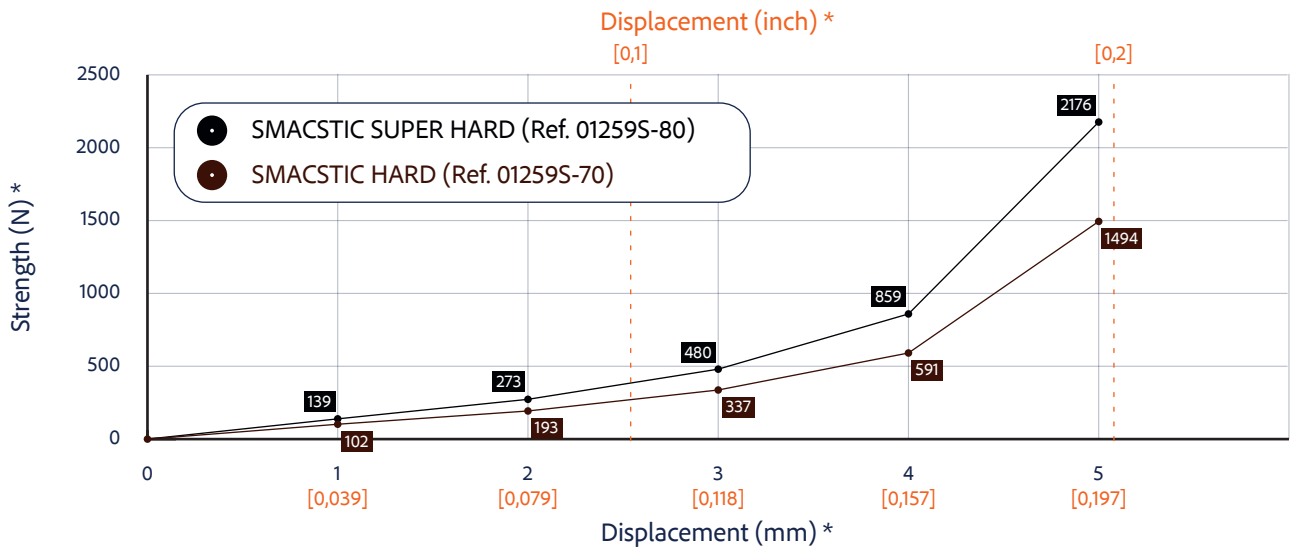
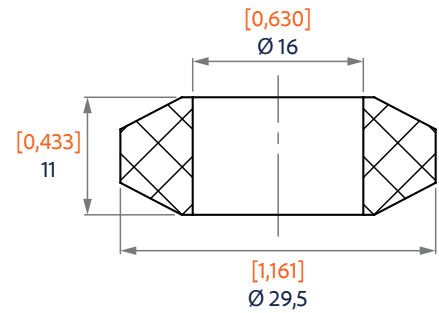
SMAC - ZI Toulon EST - BP 119 - 83079 TOULON cedex 09 - France
 Tél : +33 (0) 494 752 488 - www.smac-sas.com - contact@smac.fr
 VAT Number : FR17 481 022 937

All information released by SMAC is subject to modification without prior notice.
 Non contractual document. All rights reserved © SMAC 2025



REF 01259S

⊙ 16 ⊙ 29.5 ↑ 11



* Force-displacement characteristics are subject to a tolerance of ± 10% under standard conditions.



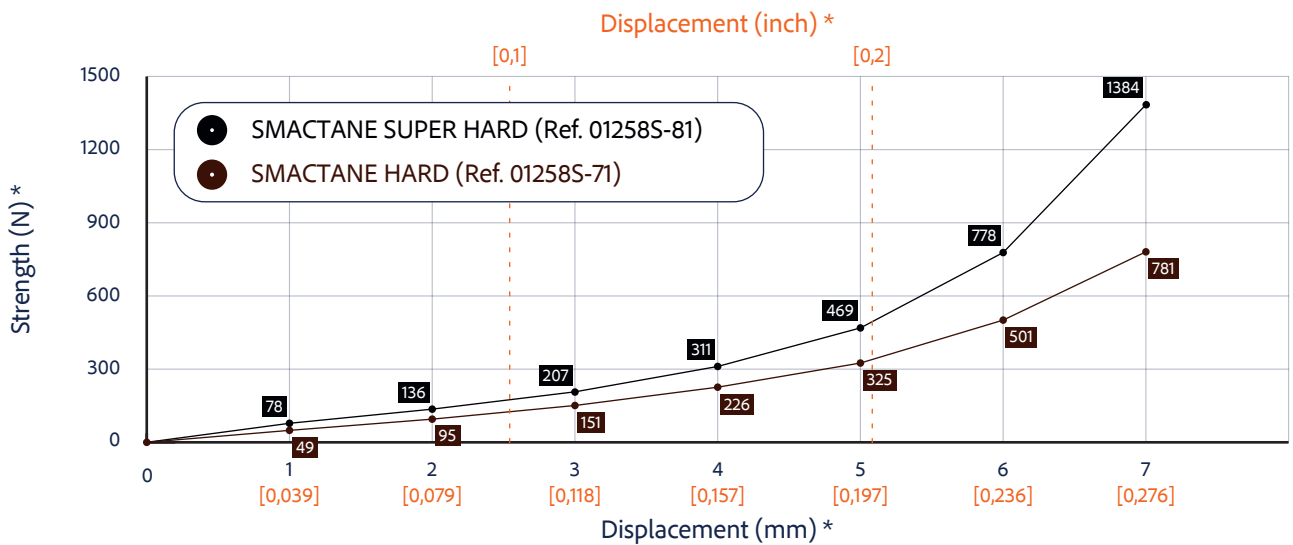
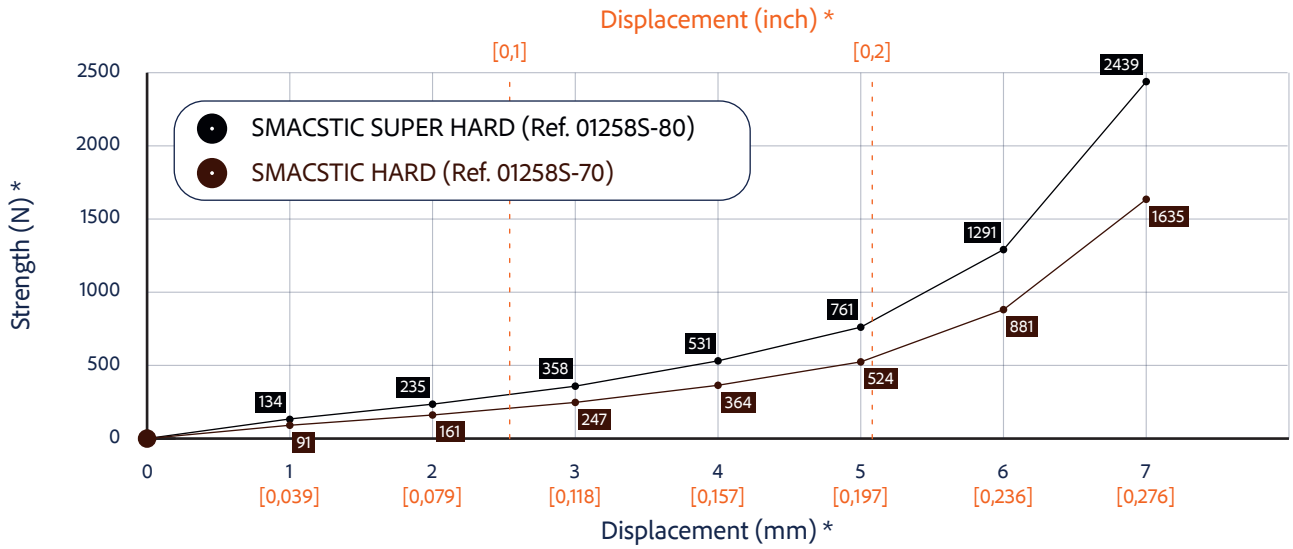
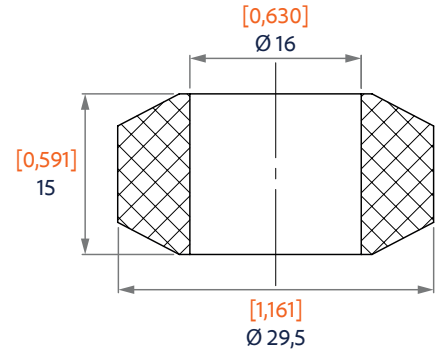
SMAC - ZI Toulon EST - BP 119 - 83079 TOULON cedex 09 - France
 Tél : +33 (0) 494 752 488 - www.smac-sas.com - contact@smac.fr
 VAT Number : FR17 481 022 937

All information released by SMAC is subject to modification without prior notice.
 Non contractual document. All rights reserved © SMAC 2025



REF 01258S

⊙ 16 ⊙ 29.5 ↑ 15



* Force-displacement characteristics are subject to a tolerance of ± 10% under standard conditions.



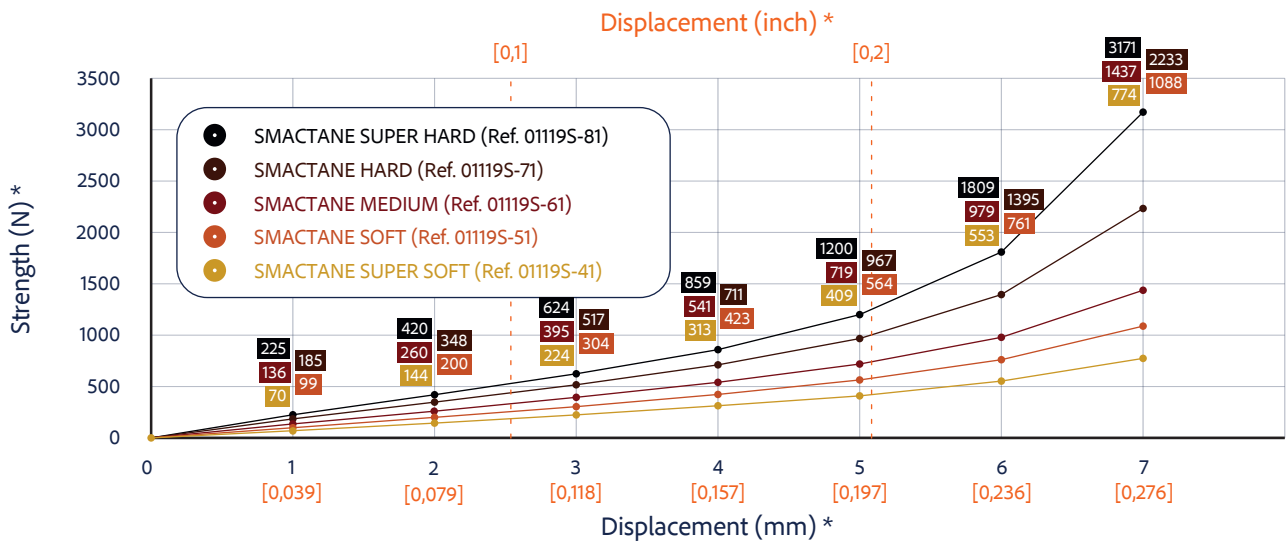
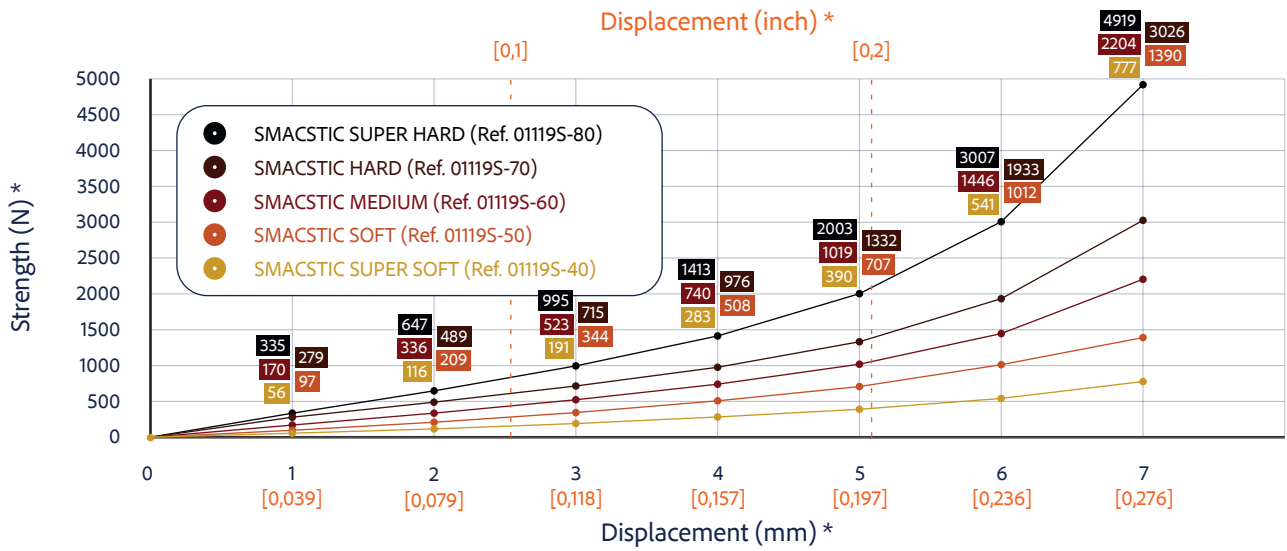
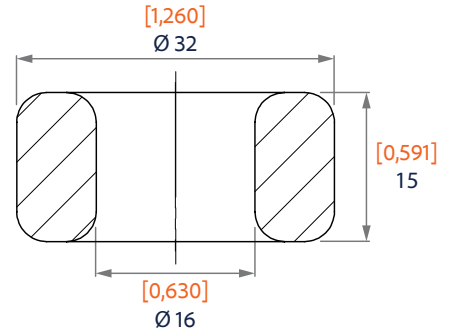
SMAC - ZI Toulon EST - BP 119 - 83079 TOULON cedex 09 - France
Tél : +33 (0) 494 752 488 - www.smac-sas.com - contact@smac.fr
VAT Number : FR17 481 022 937

All information released by SMAC is subject to modification without prior notice.
Non contractual document. All rights reserved © SMAC 2025



REF 01119S

⊙ 16 ⊙ 32 ↑ 15



* Force-displacement characteristics are subject to a tolerance of ± 10% under standard conditions.



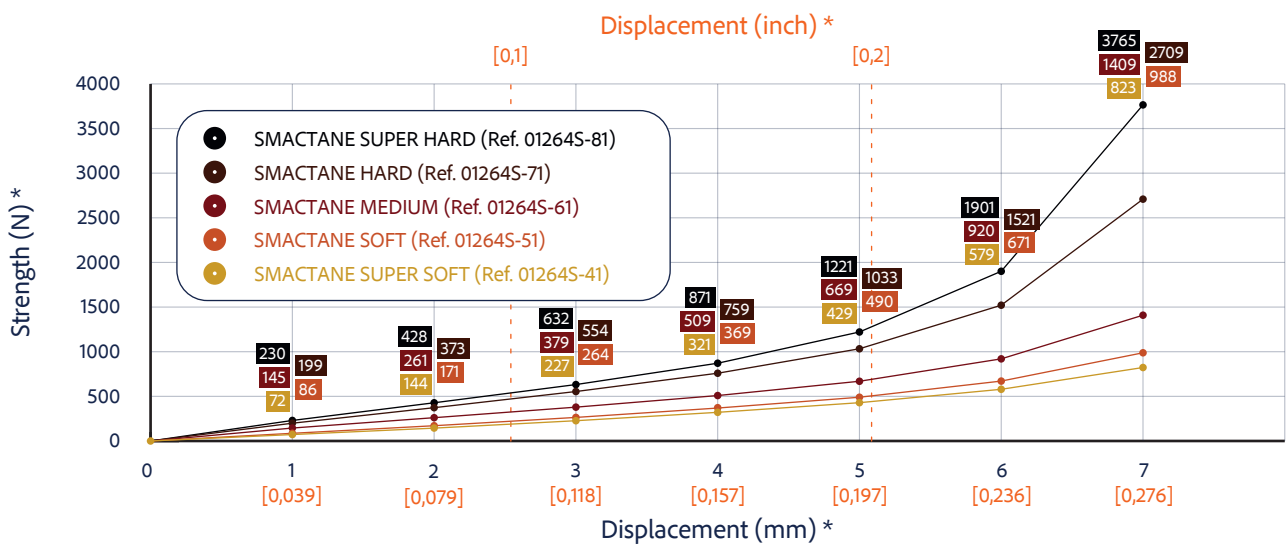
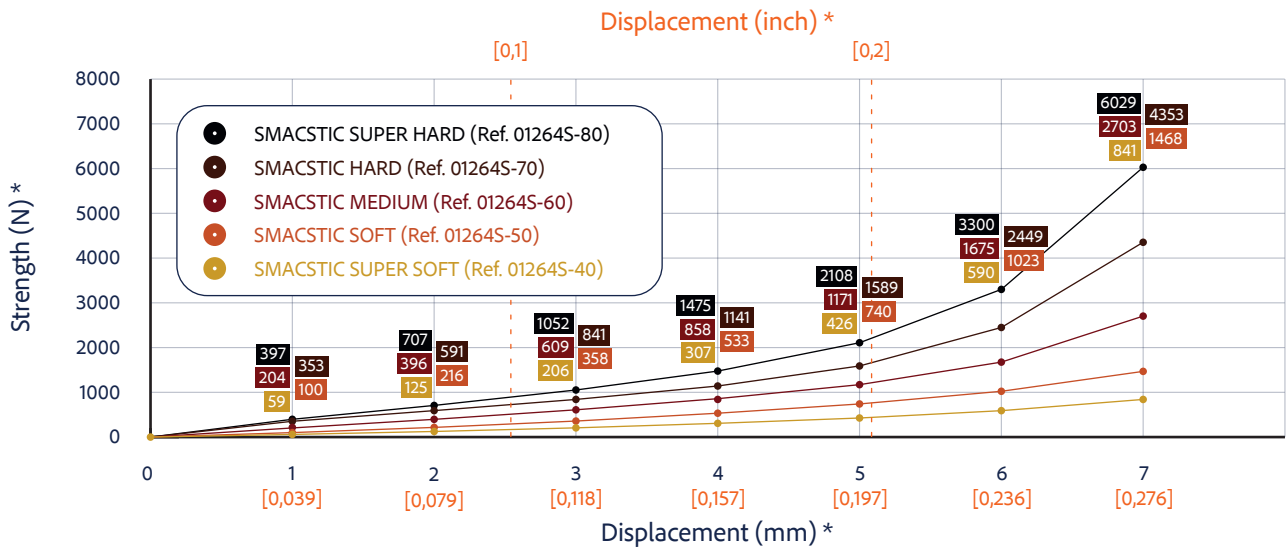
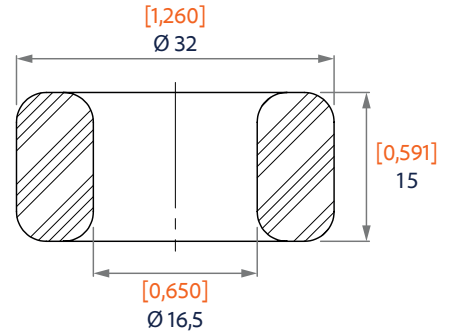
SMAC - ZI Toulon EST - BP 119 - 83079 TOULON cedex 09 - France
 Tél : +33 (0) 494 752 488 - www.smac-sas.com - contact@smac.fr
 VAT Number : FR17 481 022 937

All information released by SMAC is subject to modification without prior notice.
 Non contractual document. All rights reserved © SMAC 2025



REF 01264S

16.5
32
↑ 15



* Force-displacement characteristics are subject to a tolerance of ± 10% under standard conditions.



SMAC - ZI Toulon EST - BP 119 - 83079 TOULON cedex 09 - France
 Tél : +33 (0) 494 752 488 - www.smac-sas.com - contact@smac.fr
 VAT Number : FR17 481 022 937

All information released by SMAC is subject to modification without prior notice.
 Non contractual document. All rights reserved © SMAC 2025





SMAC
GROUPE **GEFICCA TECHNOLOGIES**

Make your mission a success

Headquarters

SMAC
66 impasse Edouard Branly
83130 La Garde
FRANCE
Tel : +33 494 753 248
@ : contact@smac.fr
www.smac-sas.com

